
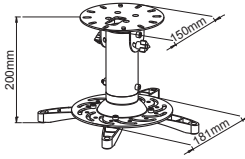


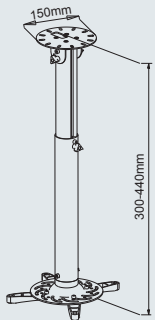


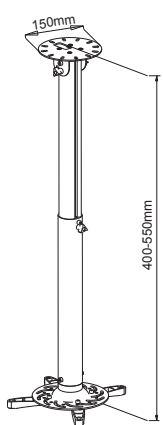




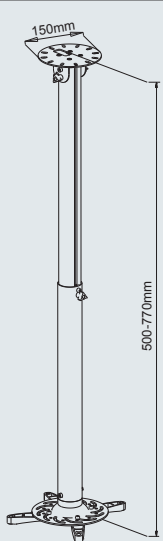

UNIVERSAL PROJECTOR CEILING MOUNTS



MODEL NO.: PM200	 	DESCRIPTION Universal projector ceiling mount		
		PRODUCT DIMENSIONS 5.9" w x 7.9" h x 7.1" d 15.0 x 20.0 x 18.1 cm	WEIGHT 2.0 kgs	
PACKING DETAILS Carton Dim.: 42.5 x 42.0 x 21.0 cm N.W./G.W.: 10.0/11.0 kgs QTY/CTN: 5 pcs QTY/20FT: 3,700 pcs				

MODEL NO.: PM200 30-44	 	DESCRIPTION Universal projector ceiling mount with extension		
		PRODUCT DIMENSIONS 5.9" w x (11.8"-17.3") h x 7.1" d 15.0 x (30.0-44.0) x 18.1 cm	WEIGHT 2.2 kgs	
PACKING DETAILS Carton Dim.: 41.0 x 33.0 x 41.0 cm N.W./G.W.: 22.0/23.0 kgs QTY/CTN: 10 pcs QTY/20FT: 5,050 pcs				

MODEL NO.: PM200 40-55	 	DESCRIPTION Universal projector ceiling mount with extension		
		PRODUCT DIMENSIONS 5.9" w x (15.7"-21.7") h x 7.1" d 15.0 x (40.0-55.0) x 18.1 cm	WEIGHT 2.3 kgs	
PACKING DETAILS Carton Dim.: 41.0 x 33.0 x 41.0 cm N.W./G.W.: 23.0/24.0 kgs QTY/CTN: 10 pcs QTY/20FT: 5,050 pcs				

MODEL NO.: PM200 50-77	 	DESCRIPTION Universal projector ceiling mount with extension		
		PRODUCT DIMENSIONS 5.9" w x (19.7"-30.3") h x 7.1" d 15.0 x (50.0-77.0) x 18.1 cm	WEIGHT 2.5 kgs	
PACKING DETAILS Carton Dim.: 41.0 x 41.0 x 41.0 cm N.W./G.W.: 25.0/26.0 kgs QTY/CTN: 10 pcs QTY/20FT: 4,060 pcs				